



Closed Loop Sensor



805/964-9119 FAX 805/967-8789
 Box 152, Goleta, CA 93116
 e-mail:sales@amploc.com
 www.amploc.com

Nominal Rating 200A rms

CS200A-P

Electrical Data

- Nominal current(I_n) ±200A rms
- Current range 0~ ±400A peak*
- Nominal output current 100 mA
- Turns Ratio 2000/1
- Measuring Resistance (R_m) ref. figure 1
- Overall accuracy at 25°C 0.5%
- Supply voltage ±12V ~ ±18V
- Current consumption 15mA + output current

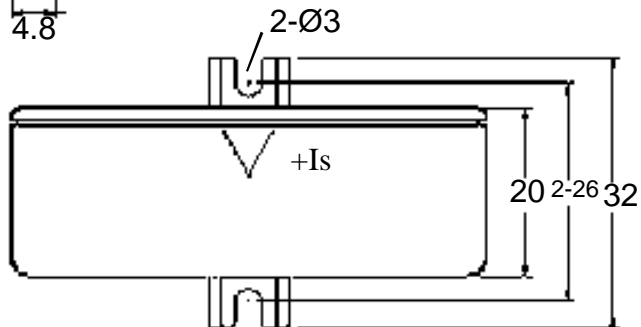
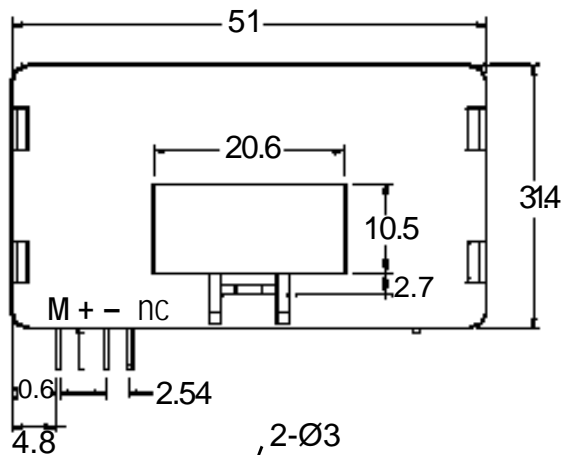
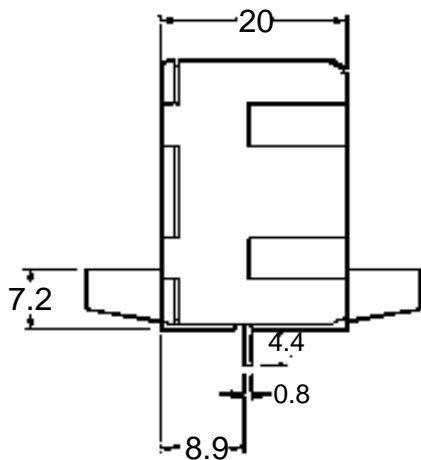
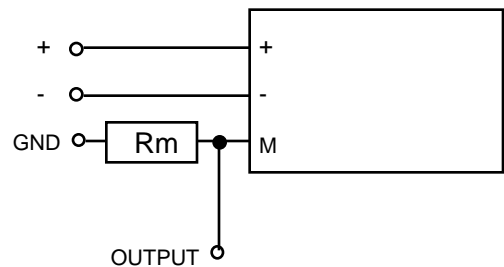
Dynamic Performance

- Null offset current. Max.0.2mA (25°C)
- Thermal drift offset current Max. 0.3 mA (-25°C to 85°C)
- Linearity: better than 0.1%
- Response time better than0.6μS
- di/dt: better than 70A/μS
- Frequency range: DC to 250KHz

Figure1 Maximum value of the measuring resistance

At maximum input amp-turns (peak)	200 A•T	300 A•T	A•T	A•T
Supply voltage				
±12V	15			
±15V	40	3		
±18V				

Electrical Connection



Mating connector:
 Samtec SSW-1-03-02-T-S-RA

Dimensions:(mm)
 Weight: 34 gms.