



amploc
current sensors

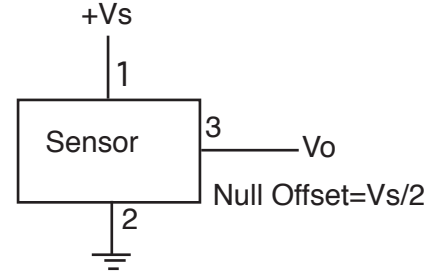
KEY100, AMP200, AMP300

100A , 200A , 300A ratings

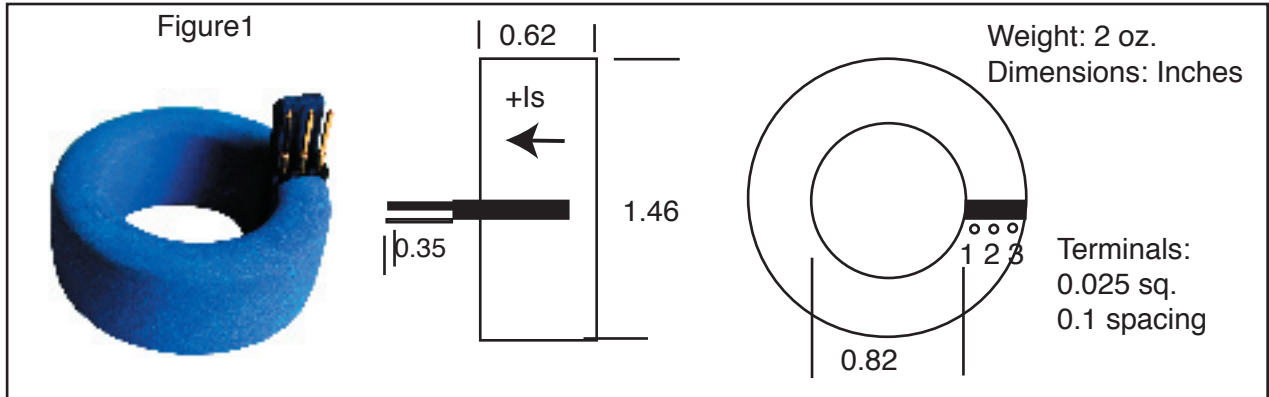
805/964-9119 FAX 805/967-8789
Box 152, Goleta, CA 93116
e-mail:sales@amploc.com
www.amploc.com

Hall effect linear current sensors. (-40C to +125C)

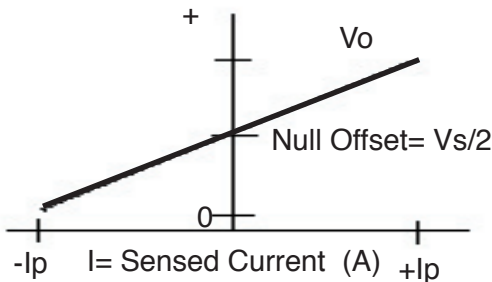
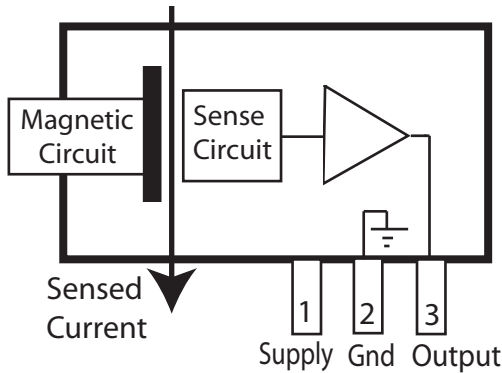
Sensor Style	Fig.	Sensed Current (Amps peak)	Vs= +5V ΔV_o at peak rated current *	Vs= +5V Sensitivity mV/A *
KEY 100	1	100	1.59V	15.9
AMP 200	1	200	1.9V	9.5
AMP 300	1	300	2.38V	7.9



* proportional to Vs



Mating connector: Samtec SSW-1-03-02-T-S-RA
or Molex 5051-04



Caution: Do not reverse supply voltage polarity.
Do not drop on cement floor.

ELECTRICAL CHARACTERISTICS

Supply voltage, Vs.....+4.5 to +10.0 Vdc
Supply Current..... 10mA max.
Output Current..... 2mA max.
Offset Voltage, V_o (Sensed $I = 0A$). $V_s/2 \pm 2\%$
Output Voltage, V_o is proportional to V_s .
Temperature Error
Null..... .03%/C
Gain..... .03%/C
Temperature Range..... -40C to +125C
Response Time..... 3 μ Sec.
Linearity (Full Scale)..... 1%
Accuracy (Full Scale)..... $\pm 2\%$